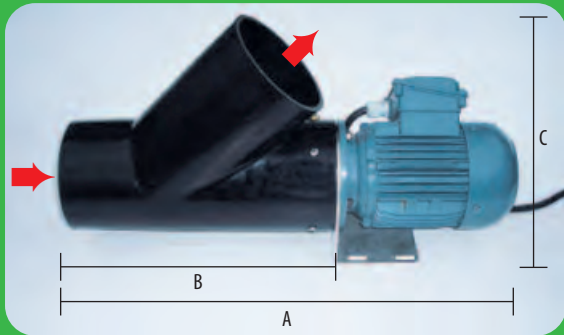


## Pipe Pump S

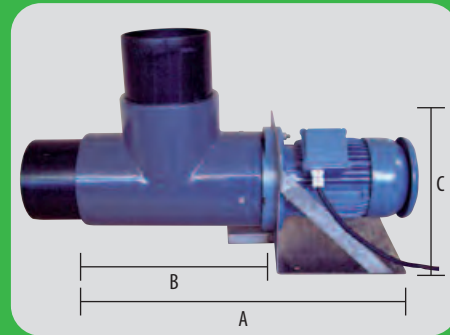


Pipe Pump S Type 01 – 04

The new Pipe Pump S (stationary) is ideal for applications where water needs to be raised in a closed pipeline, such as in filter and recirculating systems. Different sizes are available. The pump is simple to fit and can pump water up to a maximum height of approximately 2.4 m.

The stationary pump is equipped with two impellers, like the well known and successful pipe pump L3. The pump is installed and fixed securely in the pipeline. It is fitted with an integral baseplate of stainless steel, making installation easy.

The pump is powered by a robust electric motor (splash-proof, IP65, not submersible). The sealing mechanism is a double shaft-sealing ring, and there is a convenient grease nipple for easy maintenance.

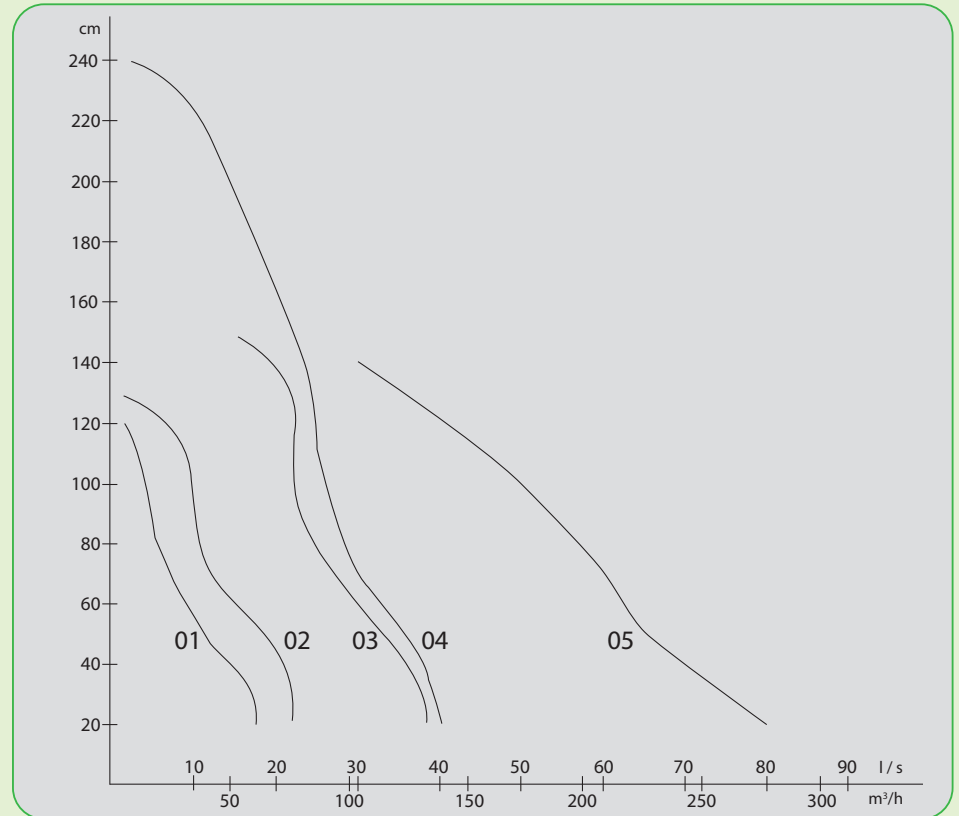


Pipe Pump S Type 05

It is important to install an inline filter screen, upstream of the pump, for protection purposes. Pipe Pump S is supplied ready for use, with a 10 m cable and over-current motor protection.



Pipe Pump S Type 05 mounted



### Technical

Type		01	02	03	04	05
Motor rating	kW	0.15	0.25	0.75	1.1	1.5
Power take-up	W	280	450	1000	1450	1900
Voltage	V	230/400	400	400	400	400
Motor	rpm	1400				
Water del (max.)	l/s	18	22	38	40	80
	m³/h	65	79	137	144	288
Pressure head	cm	0 – 110	0 – 130	0 – 150	0 – 240	0 – 140
Pipe	DN	100	125	150	150	200
Weight	kg ca.	12	12	15	15	40
Dimensions A/B/C	cm	53/31/29			62/38/34	80/40/35